



300 Series Ultra Fast Fill Quick Coupler

Applications

Fast Flow Filling Systems, Storage Cascade to Trailer/Transporter, Trailer/Transporter connection to Daughter station and direct feed to CNG Dispensers. Suitable for CNG and Bio-Gas.



HC308-6NDDN - 1" Quick Release Coupler

Materials

Item	Description	Material
1	HC Female Body	316 Stainless Steel
2	HC Male Body	316 Stainless Steel
3	Body O-ring	Nitrile
4	Back-up	Nitrile
5	Sleeve	316 Stainless Steel
6	Sleeve Retainer	302 Stainless Steel
7	Sleeve Spring	302 Stainless Steel

Item	Description	Material
8	Segments	420 Stainless Steel
9	Poppet Stem	316 Stainless Steel
10	Poppet O-ring	Nitrile
11	Poppet Seal	Delrin
12	Poppet Retainer	316 Stainless Steel
13	Poppet Spring	302 Stainless Steel
14	Poppet Guide	316 Stainless Steel

Product Information

NPT female is standard configuration and conforms to ASME B1.20.1. For a direct manifold connection option, see 300 Series Ultra Fast Fill Quick Coupler - SAE Male.

A special adaptor is available which allows standard male couplers to fit in most Type 4 TITAN® trailers, see TITAN® Trailer Adapter.

Male and female are sold individually.

All products are manufactured to ISO 9001 standards.

Compatible with profile B of ISO7241 and is connectable with Oasis HC208 couplers.

Complies to PED 2014/68/EU.

CRN (0A01257.912345678) approved for Prince Edward Island, British Columbia, Alberta, Saskatchewan, Manitoba, Ontario, Quebec, New Brunswick and Nova Scotia.

The use of hose restraints is recommended while using the HC308 couplers, contact Oasis Engineering for more info.

More product information available online at www.oasisngv.com

Features & Benefits

Industry leading flow rates.

Anti-leak spring loaded poppets instantly stops gas flow when disconnected, greatly increasing safety and reducing the amount of debris entering the system.

Specifically designed for high pressure CNG use.

Stainless steel construction gives corrosion and wear resistance.

Hardened segment connection style increases gripping surface area. This significantly reduces wear on male couplings.

Designed to be uncoupled/coupled at atmospheric pressure (0psi gauge) only making accidental disconnection very difficult, improving the safety of the device.

Integrated lock in place sleeve to ensure correct coupling is achieved.

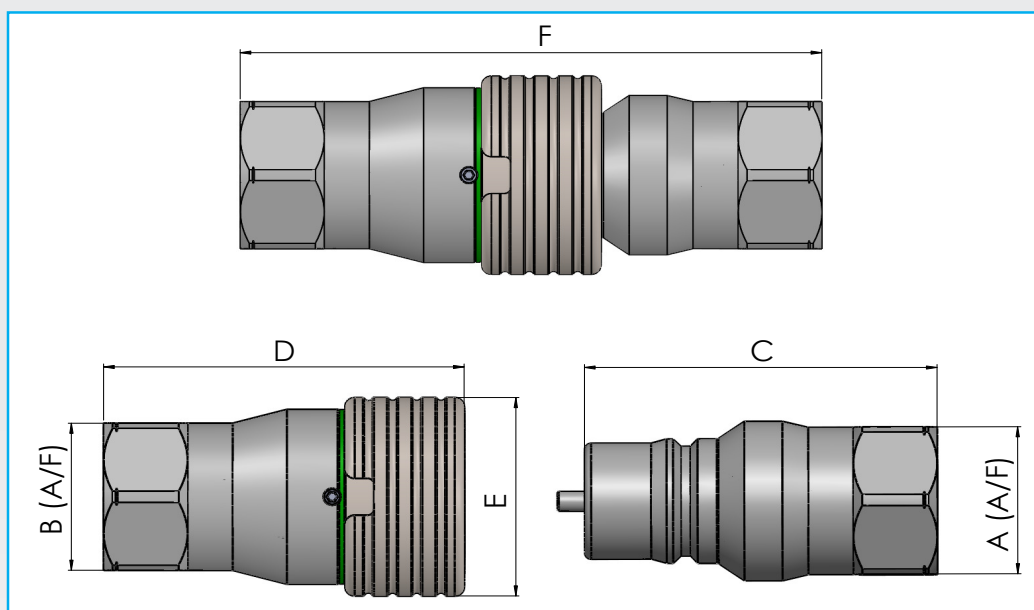
A green ring is visible on female only when the device is correctly coupled, improving the visual confirmation that it is correctly joined to a male before pressurizing.

Male coupler includes recommended dust cap.

Service kits are readily available & easy to install.



300 Series Ultra Fast Fill Quick Coupler



Dimensions: Imperial (mm)

Part Code	Nominal Size	A (A/F)	B (A/F)	C	D	E	F	Threads
HC308-6NDDN-M	1"	1.89" (48)	-	4.3" (109.3)	-	-	7.1" (180.3)	1" NPT Female
HC308-6NDDN-F	1"	-	1.89" (48)	-	4.4" (111.8)	2.55" (64.8)	7.1" (180.3)	1" NPT Female

-M Male Part (Includes Dust Cap)

-F Female Part

Product Specification

Part Code	Mass lb (kg)	Min. Operating Pressure bar (psi) *	Max. Operating Pressure bar (psi) **	Min. Temp. °F (°C)	Max. Temp. °F (°C)	Cycles Before Rekit [^]	Cv ^{^^}	Service Kit
HC308-6NDDN-M	2.2 (1)	6.9 (100)	345 (5000)	-40 (-40)#	185 (85)	20,000	23	HC308-SKDDN-M
HC308-6NDDN-F	3 (1.4)	6.9 (100)	345 (5000)	-40 (-40)#	185 (85)	20,000	23	HC308-SKDDN-F

* Minimum system pressure the product will hold constant bubble tight seal.

** Maximum pressure at which the product can continuously operate at.

[^] It is recommended that the coupler is re-kitted on or before the maximum number of allowable cycles.

^{^^} CV measured when coupled to corresponding Oasis coupler.

Coupler bodies and structural components are made from 316 Stainless steel to ensure pressure vessel suitability to -100°F. Contact us if you require more information about suitability at these low temperatures.

-M Male Part (Includes Dust Cap)

-F Female Part



300 Series Ultra Fast Fill Quick Coupler

HC308 Dust Cap

The Oasis Dust Cap has been designed to protect the HC308 Male Coupler from damage, dust and debris. Oasis recommends the use of the dust cap to maintain the life of the product.

Product Information

For use with HC308-6NDDN-M only.

Included with all male couplers.

Used to keep dust and debris out of the couplers and the system.

Slim design ensures male coupler can still be used with TITAN® trailers.

Durable plastic design.

Available for purchase separately.



HC308-DC - 1" Quick Release Coupler Dust Cap

Retainer Tool

Tool required to complete servicing of coupler. Designed to fit over poppet retainer for easy removal and installation.

Product Information

Made from 4140 Steel.

Sold Separately.

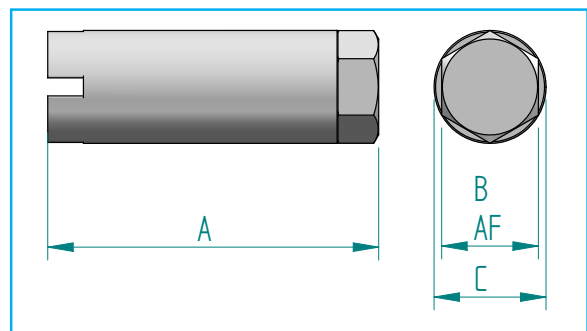
Tightening torque stamped on body.



HC308-TOOL - Service tool

Dimensions: Imperial (mm)

Part Code	A	B AF	C
TOOL-HC308	2.56"(65)	3/4"(19)	0.87"(22)



We reserve the right to modify product specifications without prior notice.



300 Series Ultra Fast Fill Quick Coupler

HC308 Dummy Male

Dummy male fitting to hold HC308 Female Coupler off the ground when not in use. Oasis recommends the use of this product to avoid damage to the female coupler.

Product Information

Made from durable plastic.

Fits into female coupler like a standard male coupler.

Designed to be bolted in place using a 1/4" (6mm) cap screw.

Sold separately.



SHC308-18 - Dummy Male

HC308 Ice Cover

The Oasis Ice Cover prevents ice build up on the HC308 Coupler while in use in cold climates or high flow applications.



HC308-COVER - 1" Quick Coupler Ice Cover



HC308-COVER in use

Product Information

Designed for exclusive use with all Oasis HC308 couplers.

Used to prevent ice build-up, which can make the HC308 hard to uncouple.

High strength, durable plastic body with neoprene insulation, designed to operate in low temperatures.

Corrosion resistant Stainless Steel cap screws.

For replacement options contact Oasis.



300 Series Ultra Fast Fill Quick Coupler - SAE Male Thread

Applications

Fast Flow Filling Systems, Storage Cascade to Trailer/Transporter, Trailer/Transporter connection to Daughter station and direct feed to CNG Dispensers. Suitable for CNG, RNG, Bio Gas, Nitrogen and Air.



1" Ultra Fast Fill Quick Coupler Female - SAE Male Thread and 1" Ultra Fast Fill Quick Coupler Male - SAE Male Thread

Materials

Item	Description	Material
1	HC Body (Female or Male)	316 Stainless Steel
2	HC Male End Cap	316 Stainless Steel
3	O-rings (Body, SAE, Poppet)	Nitrile
4	Back-up rings	Nitrile
5	Sleeve (Body, Retainer)	316 Stainless Steel
6	Sleeve Spring	304 Stainless Steel

Item	Description	Material
7	Segments	420 Stainless Steel
8	Poppet (Stem, Retainer, Guide)	316 Stainless Steel
9	Poppet Seal	Delrin
10	Poppet Spring	304 Stainless Steel
11	Dust Cap	Nylon

Product Information

Female and male are sold individually.

SAE male thread to SAE J1926-2 Heavy Duty standard.

All products are manufactured to ISO 9001 standard.

Compatible with profile B of ISO7241 and is connectable with Oasis HC208 couplers.

Complies to PED 2014/68/EU.

Designed to be uncoupled/coupled at atmospheric pressure (Ops gauge) only, making accidental disconnection very difficult and improving the safety of the device.

Recommended for use with the 300 Series Ultra Fast Fill Quick Coupler.

The use of hose restraints is recommended while using the HC308 couplers, contact Oasis Engineering for more info.

Both couplers includes recommended dust cap.

More product information available online at

www.oasisngv.com

Features & Benefits

Industry leading flow rates.

Male SAE thread allows for direct connection to trailer manifolds without the need for fittings or adapters. This reduces the number of potential leak points in the system.

Anti-leak spring loaded poppets instantly stops gas flow when disconnected, greatly increasing safety and reducing the amount of debris entering the system.

All stainless steel construction gives corrosion and wear resistance.

Hardened segment connection style increases gripping surface area. This significantly reduces wear on male couplings.

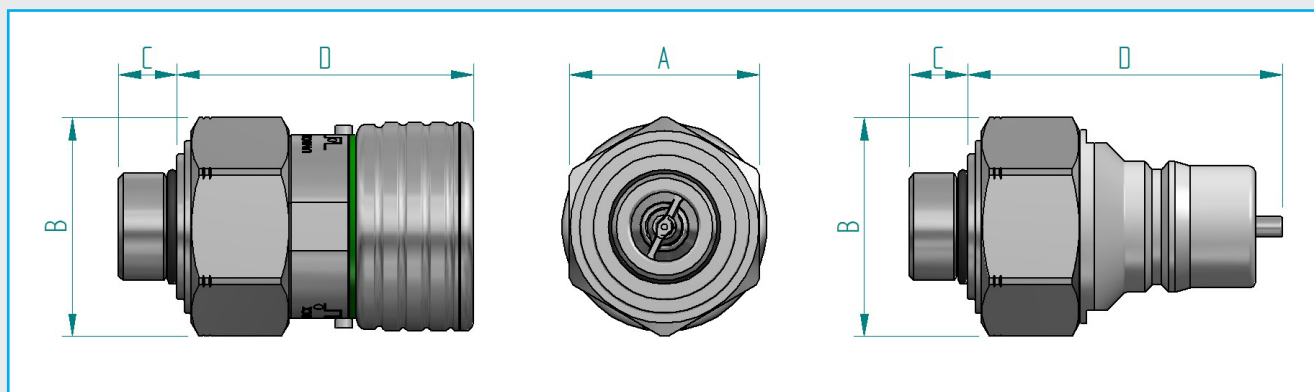
Integrated lock-in-place sleeve to ensure correct coupling is achieved.

A green ring is visible on female only when the device is correctly coupled, improving the visual confirmation that it is correctly joined to a male before pressurizing.

Service kits are readily available & easy to install.



300 Series Ultra Fast Fill Quick Coupler - SAE Male Thread



Dimensions: Imperial (mm)

Part Code	Nominal Size	A (A/F)	B	C	D	Threads
HC308-6DDDN-F	1"	2.36" (60)	2.68" (68)	0.73" (18.5)	3.68" (93.7)	1 5/16"-12 SAE Male
HC308-6DDDN-M	1"	2.36" (60)	2.68" (68)	0.73" (18.5)	3.92" (99.6)	1 5/16"-12 SAE Male

- F Female Part (Includes Dust Cap)
- M Male Part (Includes Dust Cap)

Product Specification

Part Code	Mass lb (kg)	Min. Operating Pressure bar (psi) *	Max. Operating Pressure bar (psi) **	Min. Temp. °F (°C)	Max. Temp. °F (°C)	Cycles Before Rekit [^]	Cv ^{^^}	Service Kit
HC308-6DDDN-F	3.6 (1.6)	6.9 (100)	345 (5000)	-40 (-40)	185 (85)	20,000	23	HC308-SKDDDN-F
HC308-6DDDN-M	2.7 (1.2)	6.9 (100)	345 (5000)	-40 (-40)	185 (85)	20,000	23	HC308-SKDDDN-M

* Minimum system pressure the product will hold constant bubble tight seal.

** Maximum pressure at which the product can continuously operate at.

[^] It is recommended that the coupler is re-kitted on or before the maximum number of allowable cycles.

^{^^} CV measured when coupled to corresponding Oasis coupler.

- F Female Part (Includes Dust Cap)

- M Male Part (Includes Dust Cap)



300 Series Ultra Fast Fill Quick Coupler - SAE Male Thread

HC308 Female - SAE Male - Dust Cap (HC308-SDC-F)

The Oasis Dust Cap has been designed to protect the HC308 Female - SAE Male Thread Coupler from damage, dust and debris. Oasis recommends the use of the dust cap to maintain the life of the product.

Product Information

HC308-SDC-F - 1" Ultra Fast Fill Quick Coupler Female - SAE Male Thread Dust Cap :

- For use with HC308-6DDDN-F only.
- Included with all female couplers.

Used to keep dust and debris out of the couplers and the system.

Durable plastic design.

Available for purchase separately.



HC308-SDC-F - 1" Ultra Fast Fill Quick Coupler
Female - SAE Male Thread Dust Cap

HC308 Male - SAE Male - Dust Cap (HC308-SDC)

The Oasis Dust Cap has been designed to protect the HC308 Male - SAE Male Thread Coupler from damage, dust and debris. Oasis recommends the use of the dust cap to maintain the life of the product.

Product Information

HC308-SDC - 1" Ultra Fast Fill Quick Coupler Male - SAE Male Thread Dust Cap :

- For use with HC308-6DDDN-M only.
- Included with all male couplers.

Used to keep dust and debris out of the couplers and the system.

Durable plastic design.

Available for purchase separately.



HC308-SDC - 1" Ultra Fast Fill Quick Coupler
Male - SAE Male Thread Dust Cap



300 Series Ultra Fast Fill Quick Coupler - SAE Male Thread

HC308 Ice Cover

The Oasis Ice Cover prevents ice build up on the HC308 Coupler while in use in cold climates or high flow applications.



HC308-COVER - 1" Quick Coupler Ice Cover



HC308-COVER in use

Product Information

Designed for exclusive use with all Oasis HC308 couplers.

Used to prevent ice build-up, which can make the HC308 hard to uncouple.

High strength, durable plastic body with neoprene insulation, designed to operate in low temperatures.

Corrosion resistant Stainless Steel cap screws.

For replacement options contact Oasis.