

Coloured Product Sleeves and Product Badges EK 145 have been used for fuel grade identification of ZVA nozzles for many decades.

Oil companies and independent forecourt operators are placing more importance on customised designs and corporate brand appearance. At the same time, misfuelling should be prevented through clear grade differentiation at filling points.

For an improved fuel identification at dispensers, Elaflex now optionally offers the Custom Scuffguard 'CSG' with Nozzle Talker EK 024 for ZVA Slimline 2 and 2 GR nozzles.

Custom Scuffguard 'CSG' is available in different colours/colour combinations. It is made of weather and deformation resistant PU and suitable for temperatures from -40°C up to $+70^{\circ}\text{C}$. The Product Sleeve EK 043 or Splashguard EK 652 are chosen in matching colours.

'CSG' retrofitting to ZVA Slimline 2 and 2 GR nozzles can be done within a few minutes.

The large surface of the **Nozzle Talker EK 024** offers the opportunity to address customers in a more targeted and focused manner. Premium fuels, corporate colours, logos or brands can facilitate product marketing. A fuel grade identification to EN 16942 can additionally be imprinted.

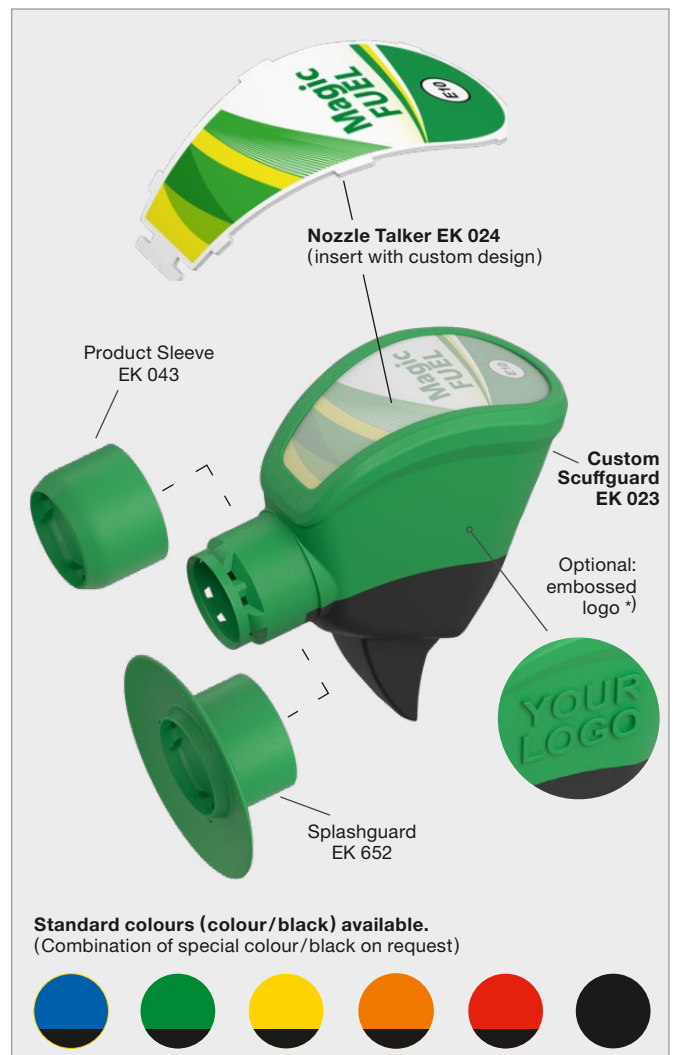
Order details please see overleaf.



'CSG' for ZVA Slimline 2 GR



'CSG' for ZVA Slimline 2



Standard colours (colour/black) available.
(Combination of special colour/black on request)



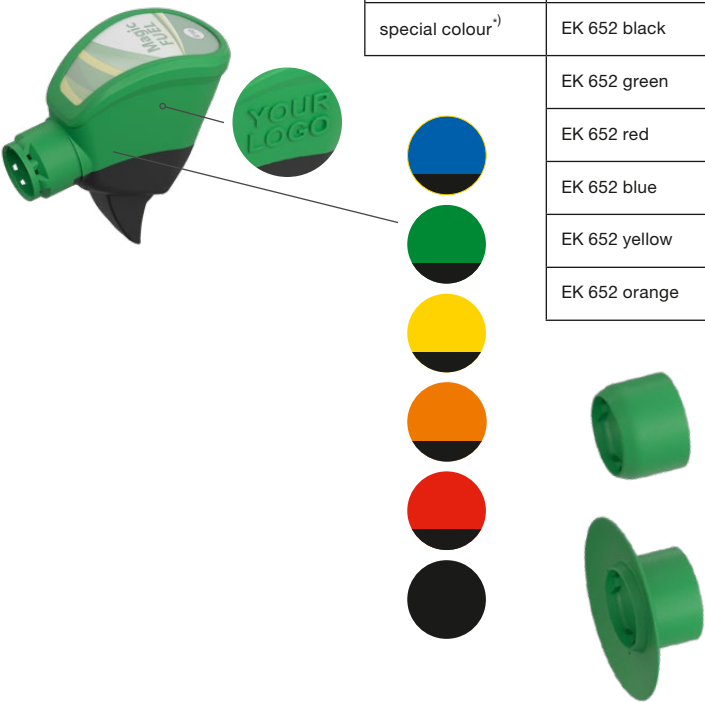
***) Optional: Special production with embossed logo**

Custom Scuffguard EK 023 is available with embossed logo or brand. For detailed information, please contact your local Elaflex sales team.

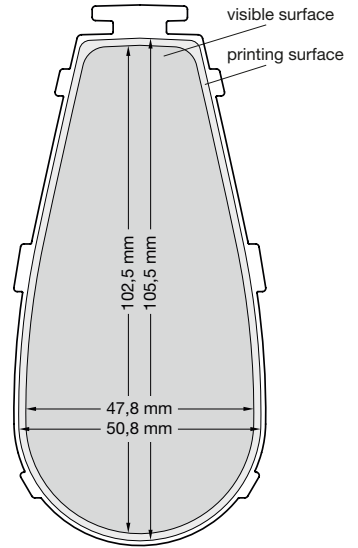
Order Number Breakdown: Custom Scuffguard / Nozzle Talker for ZVA Slimline 2 Nozzles

Example: (ZVA 2...) EK023 blue EK043 black with EK024 / 0001

EK023	blue	EK043 black	
Custom Scuffguard 'CSG'	Embossing	Colour	Product Sleeve/Splashguard
EK 023	without Marking = [-]	blue	EK 043 black
	Embossing*) = [Logo]	green	EK 043 green
		yellow	EK 043 red
		orange	EK 043 blue
		red	EK 043 yellow
		black	EK 043 orange
		special colour ^{*)}	EK 652 black
			EK 652 green
			EK 652 red
			EK 652 blue
			EK 652 yellow
			EK 652 orange



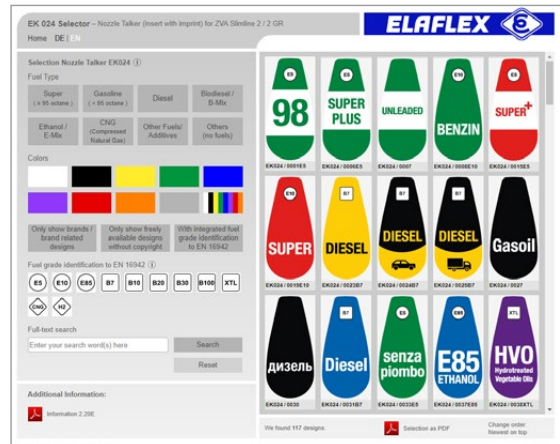
EK024 / 0001
Nozzle Talker (insert with design)
EK 024 / + Design



An overview of **existing designs** as well as the template for your own design, please visit:

ek024selector.elaflex.de/en

Minimum order: 30 pieces



[-] left blank in part number

*) special production / special colour on request

Colour diversity also for other accessories

Break Sleeves 'BS' and Colour Sleeves 'CS' as well as Slimline hoses are available in matching colours and different sizes.



BS 16 oder BS 21
(CatPage 513-516, CatPage 519-520, CatPage GR15)

CS 16 oder CS 21
(CatPage GR 11, CatPage 211)

SL 16, SL 19 oder SL 21
(CatPage 111a-111c, CatPage GR 13)

Colour samples: