

From April 2014 we supply all ZVA Slimline 2 and ZVA Slimline 2 GR nozzles with the **Unified Valve Assembly EA 055**.

THE BACKGROUND:

Since its production start in 2009, ZVA Slimline 2 have been offered in two versions, 'Standard' and 'H' (for HiFlo dispensers, up to 80 l/min). The reason for this was the required low lever action force of the standard version.

Dispenser manufacturers always want to reduce the number of variants - *one* nozzle for both low and high flow rates. With the Unified Valve Assembly EA 055, we found a solution which fulfills all requirements.

- maximum flow rate of 80 l/min. for ZVA Slimline 2, reduced pressure drop
- unchanged low force to pull the lever, for all ZVA Slimline 2 and ZVA Slimline 2 GR
- Reduction of nozzle and spare part variants for a simplified stock keeping and repair

ZVA Slimline 2 and ZVA Slimline 2 GR with EA 055 have been extensively field-tested over a period of several years and are approved to EN 13012 and TPS 19 ATEX 103415 0002 U.

WHAT HAS CHANGED?

Nozzle Ordering

ZVA Slimline 2: Type 'H' (HiFlo) discontinued
ZVA Slimline 2 GR: no changes

Spare Parts / Repairs

For the repair of the mentioned parts we recommend only using the new Unified Valve Assembly and the related springs. The new components are fully backwards-compatible for all ZVA 2 nozzles. Please Note: for Drip Stop (TMV) use spouts produced from April 2014. These can be identified by black inner plastic parts and a small hole below at the stainless steel spout tip.

If preferred, spare parts for the previous versions are still available. Please do not mix spare parts from old and new version to avoid malfunction of the nozzle.

Details see overleaf.



**Unified Valve-
Assembly
EA 055**

for all ZVA Slimline 2 and Slimline 2 GR nozzles

Old Versions:

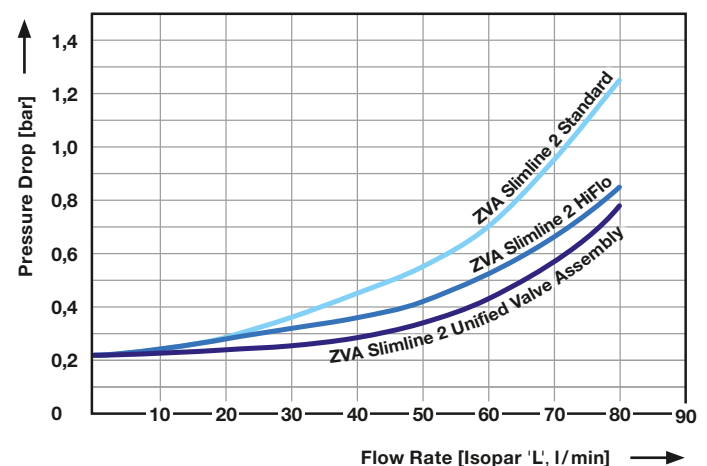


for ZVA Slimline 2/
ZVA Slimline 2 GR



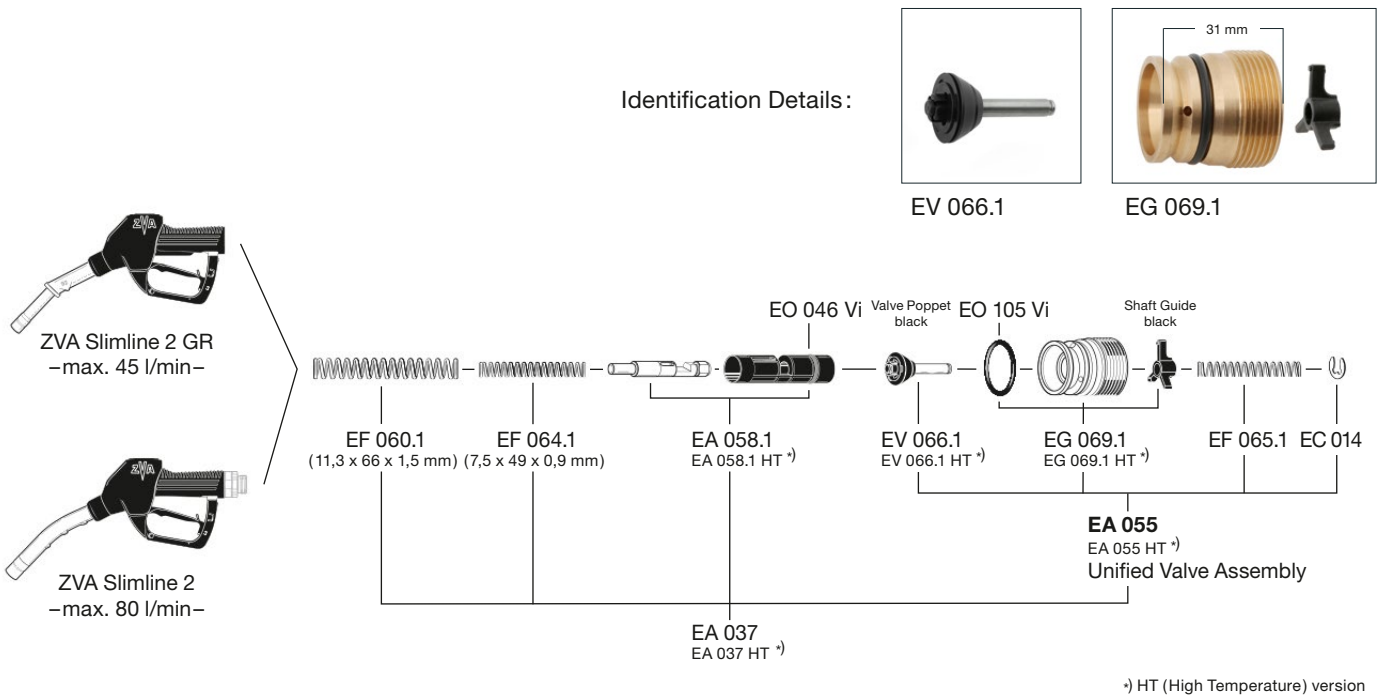
for ZVA Slimline 2 HiFlo

Flow Chart Comparison



Unified Valve Assembly EA 055 und EA 055 HT ^{*)}

For the repair of the mentioned parts we recommend to only use the new Unified Valve Assembly and the related springs (EF 060.1, EF 064.1). The components are fully backwards-compatible for all ZVA 2 nozzles.



Old Versions

If preferred, spare parts for the previous versions are still available, see below. Do not mix spare parts from old and new version to avoid malfunction of the nozzle (exception: current components EF 064.1 and EA 058.1 are backward-compatible).

